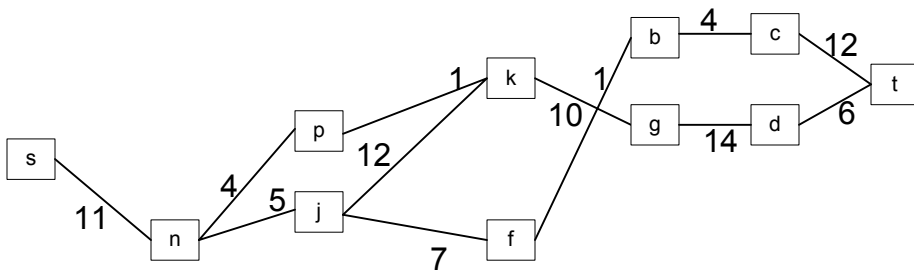
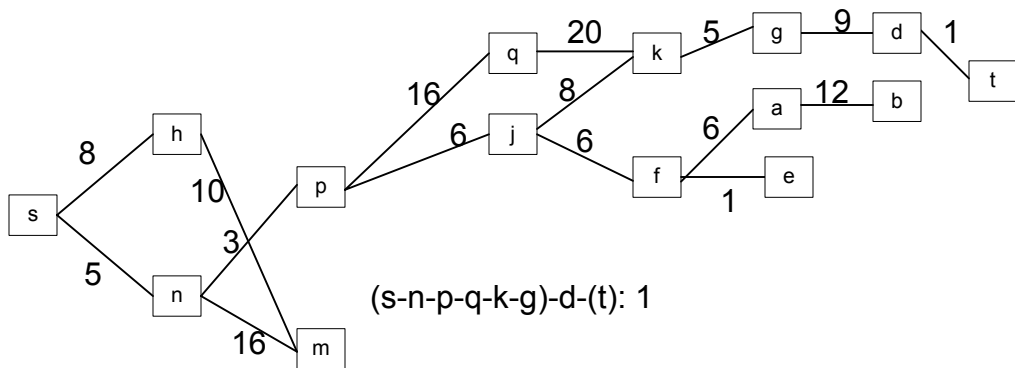
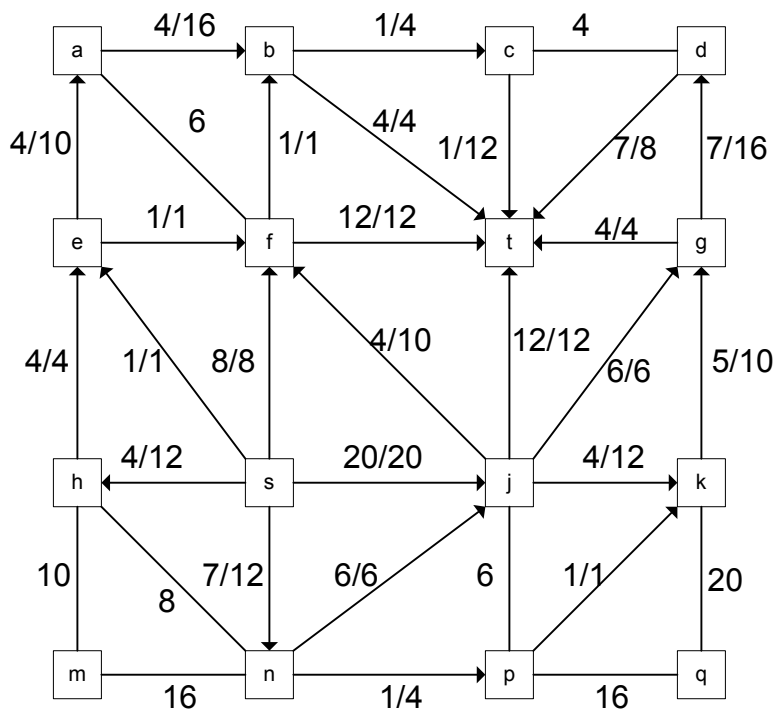
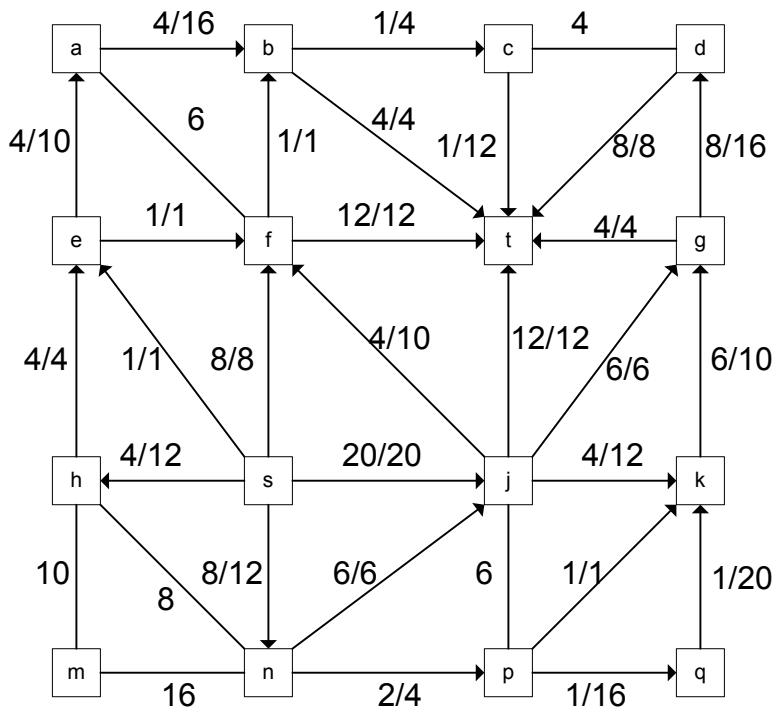


(s-n-j-f)-b-(c-t): 1
 (s-n)-p-(k-g-d-t): 1
 (s-n)-j-(k-g-d-t): 4







(s)-n-p-(q-k-g-d-c-t): 2

