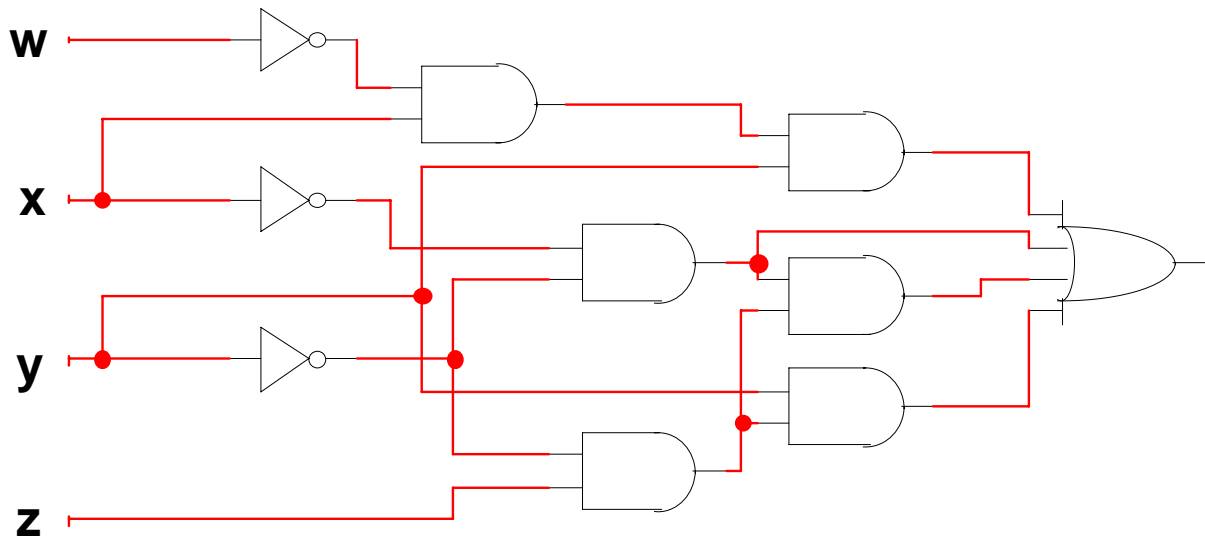


EE 2310 Worksheet #3C – More Simplification

1. This is NOT an SOP Circuit. Put it on the truth table and then the K-map to find the simplified expression and circuit. DO NOT write the original Boolean expression!



		yz			
		00	01	11	10
wx	00				
	01				
	11				
	10				

w	x	y	z	f
0	0	0	0	
0	0	0	1	
0	0	1	0	
0	0	1	1	
0	1	0	0	
0	1	0	1	
0	1	1	0	
0	1	1	1	
1	0	0	0	
1	0	0	1	
1	0	1	0	
1	0	1	1	
1	1	0	0	
1	1	0	1	
1	1	1	0	
1	1	1	1	