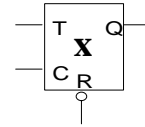
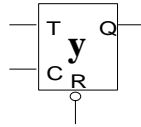
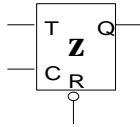


## EE 2310 Worksheet #4 –Sequential Logic Circuits

- Using the T FF's shown, design a 3-bit modulo-5 counter, using either the K-map or "short-cut" method.

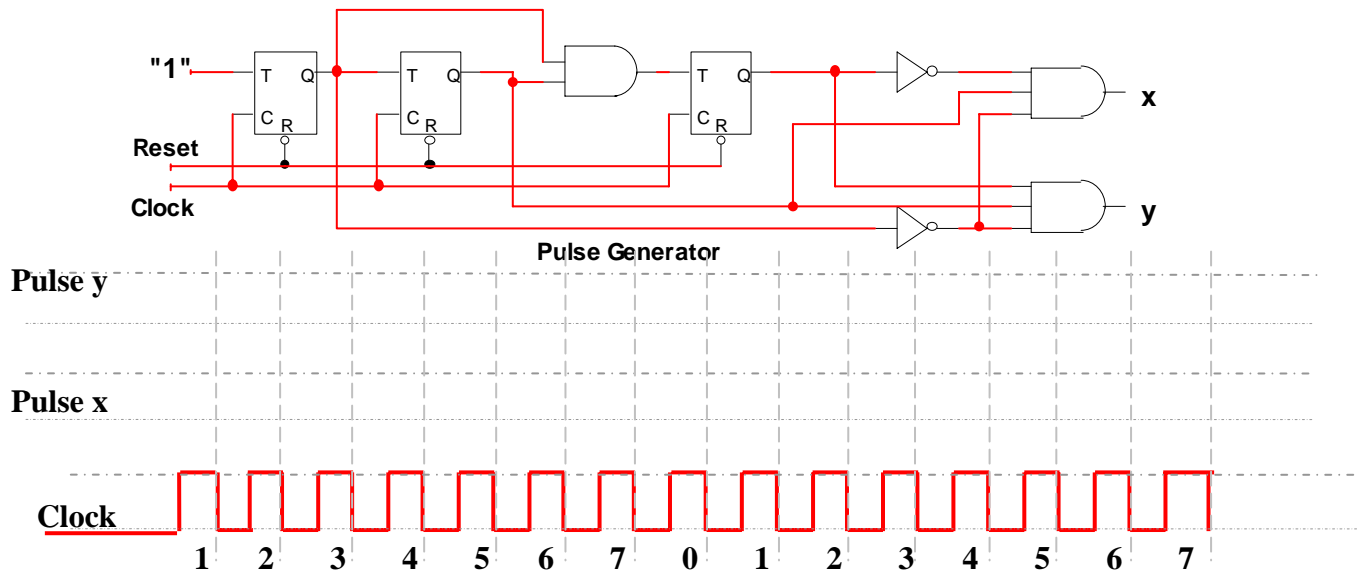


$T_z$	$yz$			
	00	01	11	10
X	0			
1				

$T_y$	$yz$			
	00	01	11	10
X	0			
1				

$T_x$	$yz$			
	00	01	11	10
X	0			
1				

- On the timing diagram below, show the timing for outputs x and y.



- What does this circuit do?

