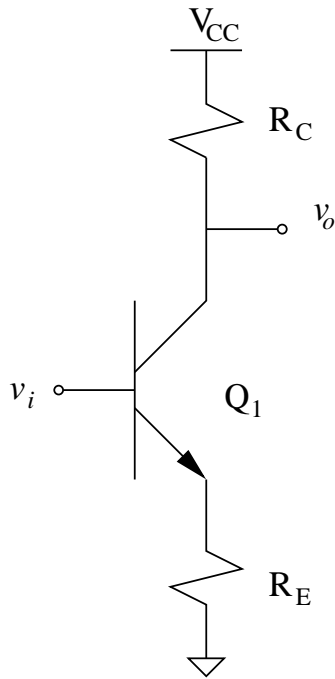


EE7331-501
Homework # 2

Due: Tuesday, October 30



Using the circuit schematic above, derive the expression for the variances of the input referred noise voltage $\overline{v_i^2}$ and input referred noise current $\overline{i_i^2}$. Find R_{eq} and I_{eq} .

State all assumptions you use in your work. Use the correct labels from the schematic in your equations.